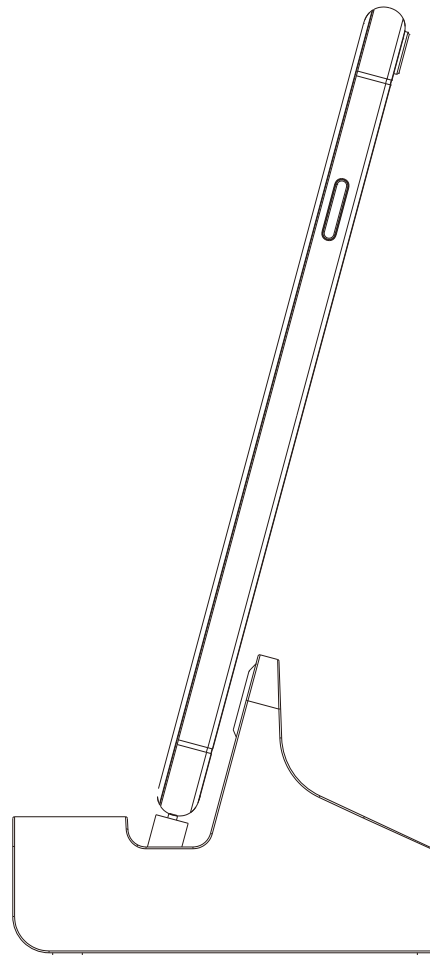
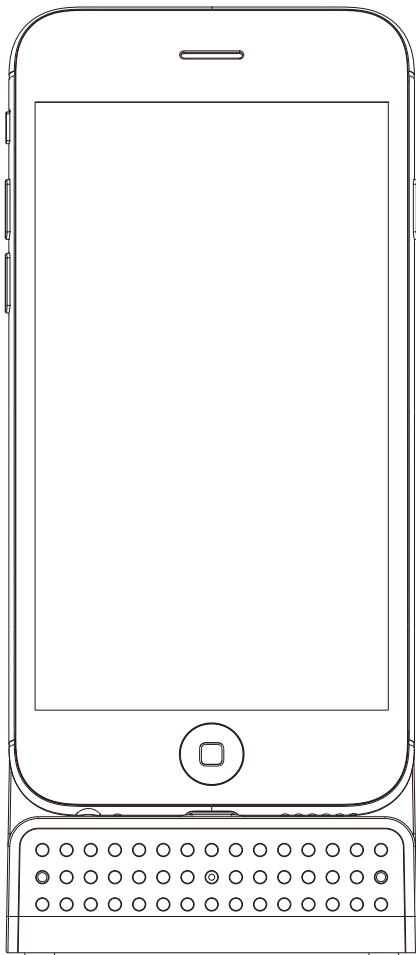

PV-CHG20i(Droid/iOS)

Smartphone Charging Dock DVR

Quick Guide

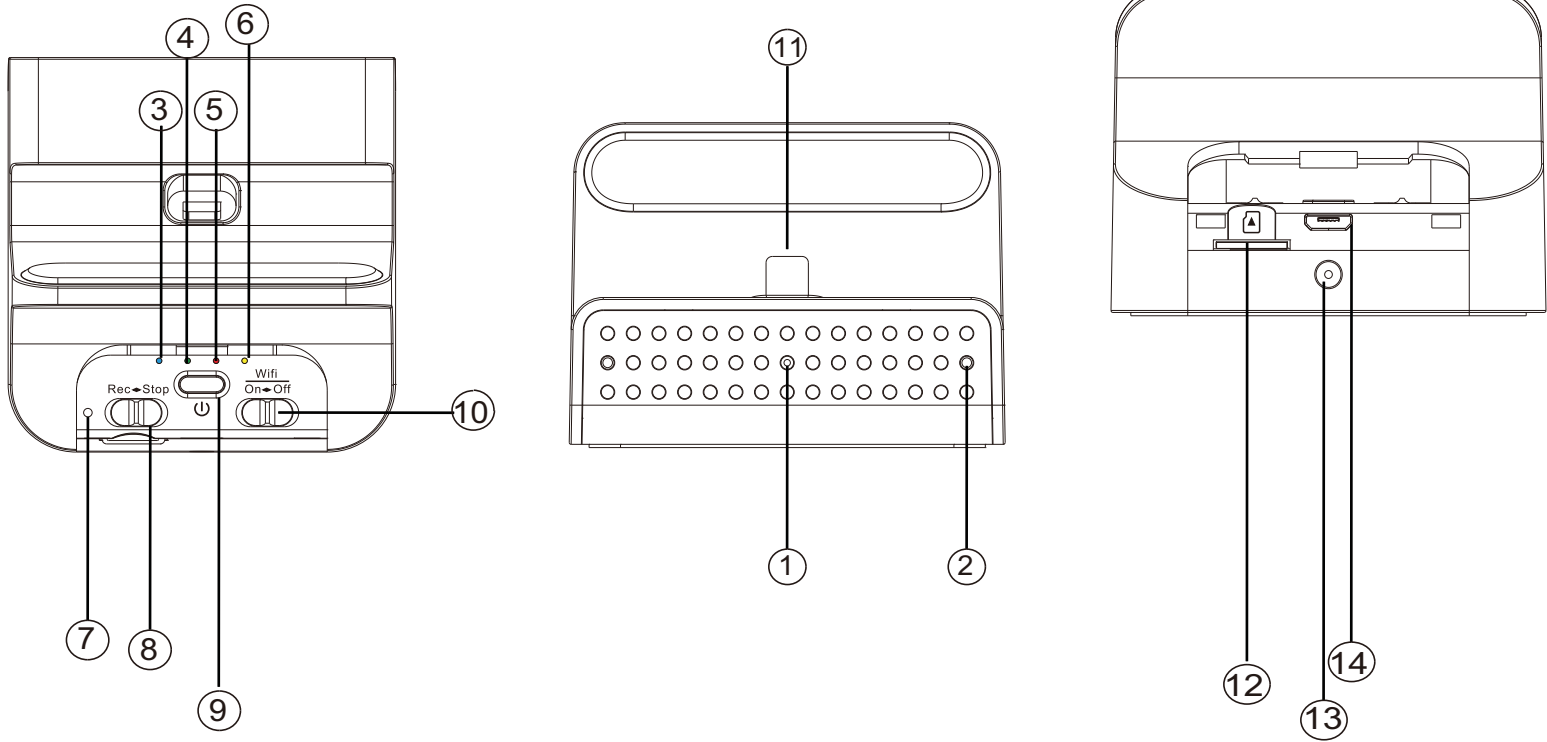


LawMate, innovation never stops

LawMate®

V1.0

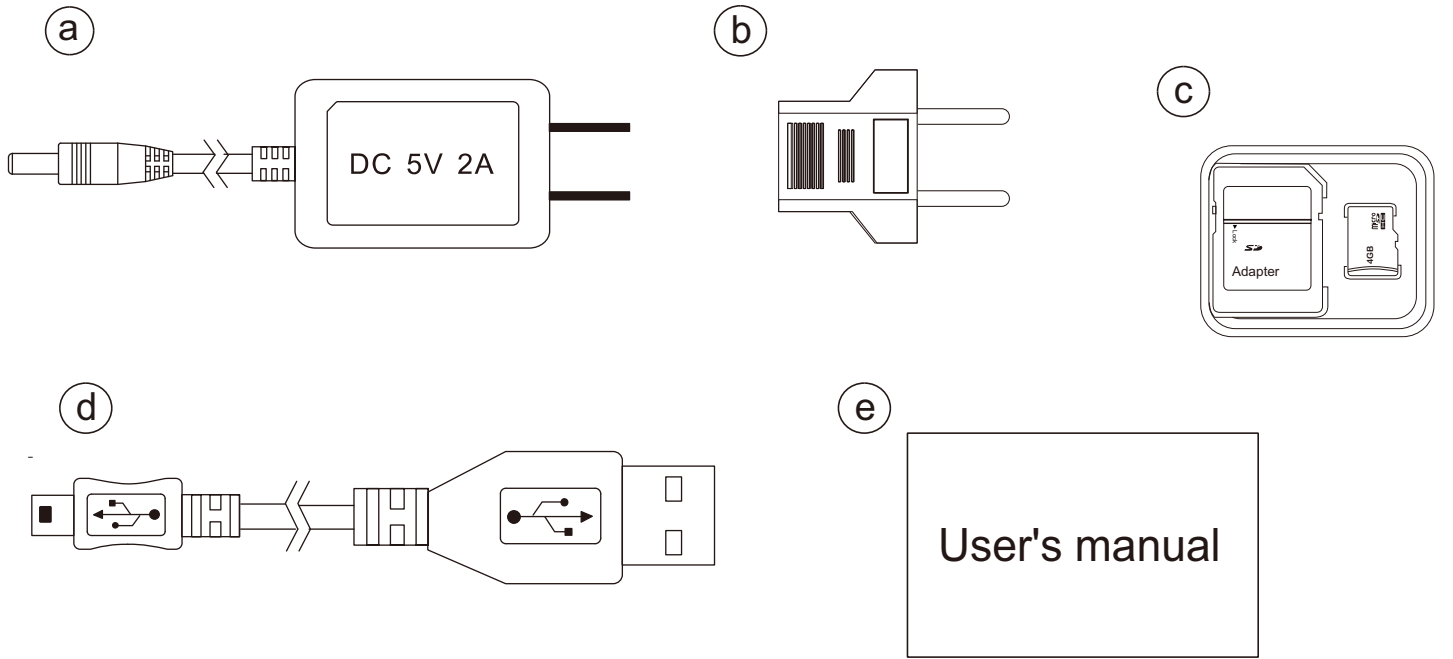
1. Names and Parts



- 1. Camera Lens
- 2. Microphone*
- 3. Power(Blue) LED
- 4. Record (Red) LED
- 5. Wi-Fi (Orange) LED
- 6. Charge(Green) LED
- 7. Default Button
- 8. Continuous/Motion Detection Rec Switch
- 9. Power On/Off Button
- 10. Wi-Fi Switch(Left On/Right Off)
- 11. Lightning
- 12. Memory Card Slot
- 13. DC 5V Slot
- 14. USB Port

※ No microphones are available for USA market

2. Package Content

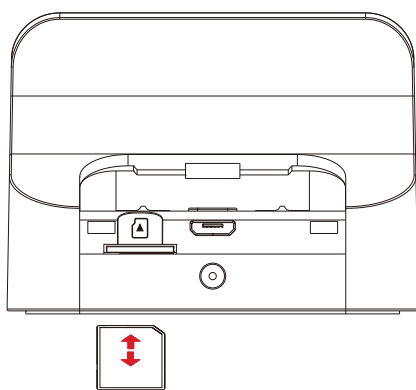


- (a) 5V Wall Adapter Power Supply (b) Adapter Head - European Standard
(c) Memory Card (d) USB Connect Cable (e) User's manual

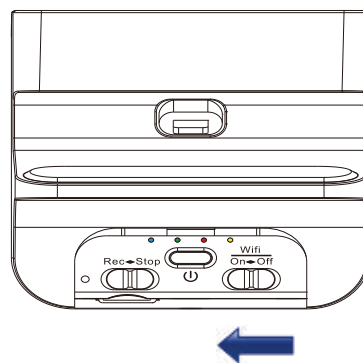
3. Recording Operation

3.1 Insert memory card into slot as shown in illustration 1.

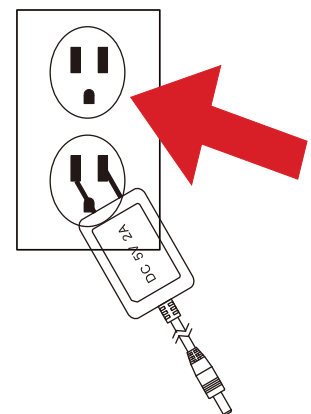
3.2 To turn on the WiFi, slide to ⑧ the left as shown in illustration 2.



(1)



(2)



(3)

3.3 Simply plug the 5V wall adapter power supply into an electrical outlet as shown in illustration 2.

Press ⑨ on the device and blue LED ③ will be on.

Then the system initialization will take around 40 seconds. With the presence of the red LED ④, it indicates that the recording mode is on. The blinking orange LED suggests that the unit is ready for P2P connection (for more details about the P2P connection guide, please refer to the IP Quick Guide).

※Please note that each time the device is switched to P2P or IP connection, the system initialization will take around 40 seconds.

3.4 For the LED status indicators

LED Indicators	Device Status
Solid Red LED	Recording on
Blinking orange LED	Searching for P2P
Solid orange LED	P2P Connected
Solid green LED	IP Connected

3.5 To set the password & SSID back to default settings, please press the default button longer than 4 seconds and less than 10 seconds ; You'll see the red ④ / orange ⑤ /green LED ⑥ turning on and off at the same time.

After 40 seconds, the presence of the flashing orange LED ⑤ indicates that the unit is ready to start the P2P connection again (P2P password:88888888).

To set all the settings back to factory default, press the default button longer than 10 seconds;

You'll see the red ④ / orange ⑤ /green LED ⑥ turning on and off at the same time. After 40 seconds, all the settings will be back to factory default settings.

You'll see the flashing orange LED ⑤ which indicates that the unit is back to default setting successfully.

※Please note that the operation less than 4 seconds will be invalid.

4. Continuous /Motion Detection Recording

- 4.1. For Continuous recording, please swipe ⑬ to the left.
- 4.2. For Motion Detection recording, please swipe ⑬ to the right. After 10 sec of system initialization, the unit will be ready for Motion Detection recording. Once the unit detects the moving object, it will start the recording and the red LED ④ will be on.
- 4.3. For snapshot function, please refer to the IP Quick Guide.
- 4.4. You can also use the PV Cam Viewer to change the recording mode. For further details, please refer to our IP Quick Guide, thanks.

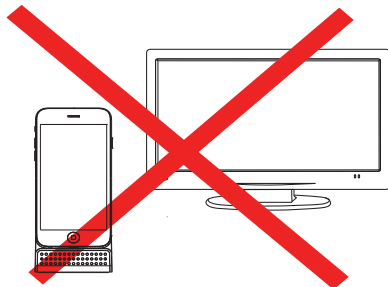
5. Retrieving Video Footage

- 5.1. Video file is stored in the SD Memory card.
- 5.2. Remove SD card from DVR.
- 5.3. Insert SD card into a card reader or SD card slot in your PC.
- 5.4. Computer detects the storage and user may browse and operate the storage as typical folder directory. i.e. Rename, copy and paste, delete, duplicate, etc.
※Please note that vidoe files will be named as V+year +month+time; e.g. V20150721010101

6. Date and time setting (for Windows system)

- 6.1. From the desktop right-click to open Notepad, create a text file named settime.txt
 - 6.2. On the first line of the file, enter date and time information as year.month.day hours.minutes.seconds
For example, suppose the time is October 16, 2015 15:00. Then enter 2015.10.16 15:00:00
 - 6.3. Save the file to the root directory of the memory card.
 - 6.4. Insert the memory card into the slot, and power on the device. The date and time setting is now completed.
- Note : When the date and time setting is completed. The settime.txt file will not be visible when you connect the device to the computer again.

※Please note that PV-CHG20i does not include A/V Out Connection



A/V Out Connection

7. Charging Functionality

- 7.1 Beyond being a hidden camera, the unit can actually function as a working smartphone charger. It charges your phone like a normal docking .

※Please note that when you try to charge your phone through the unit, the power it receives will be lesser than the power it receives when connected to a wall charger.