

# PV-AC20uni

## Industry's First Innovation! USB Charger DVR with Wi-Fi

Watch live view video on your phone!

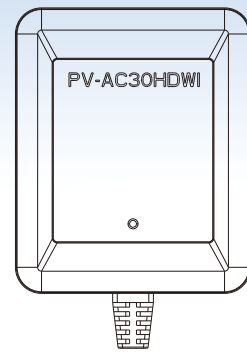
### Feature

- Built-in Wi-Fi allows you to control, view, and download video from your smartphone
- Remotely control, view, and download video from your smartphone/tablet anywhere in the world
- Multi-nation USB charger for US/UK/EU/Australia plugs
- Appears as a normal AC adapter with built in DVR and camera
- Powered by AC outlet - no batteries needed!
- Records at 1080p/720p/WVGA @ 30fps
- Takes up to a 32GB SD card

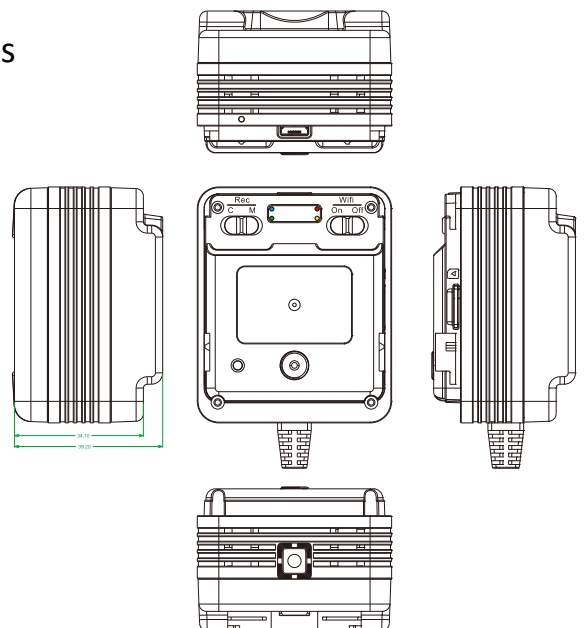
### Specification

|                       |  |
|-----------------------|--|
| Built in Image Sensor | 1/2.9" progressive CMOS sensor           |
| Sensor Resolution     | 2000x1121                                |
| Sensor Sensitivity    | 0.03 Lux @ F 2.0                         |
| Lens F/No.            | F2.0                                     |
| Focal Length          | 4.3mm                                    |
| Angle of view         | 78°                                      |
| Algorithm             | H.264, JPEG                              |
| File Format           | MOV, JPG                                 |
| Video Recording mode  | Auto/Manual/Motion Detection             |
| Recording Capability  | 1920x1080/1280x720/848x480               |
| Frame Rate            | Up to 30fps                              |
| Photo Capability      | 2M(1600x1200)                            |
| Wifi                  | Built-in WiFi Module(IEEE 802.11b/g/n)   |
| Memory type           | Micro SD Card<br>(Support SDHC max=32GB) |
| Data interface        | Mini USB 2.0                             |
| Date/Time Table       | YYYY/MM/DD, HH:MM:SS                     |
| Power Input           | AC 100-240V                              |
| Dimension             | 63x52x40mm                               |
| Weight                | 97g                                      |

\*Specifications are subject to change without prior notice.

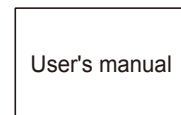
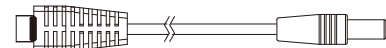


### Product Sketch

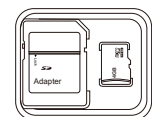


### Standard Accessories

Cover Power Cord

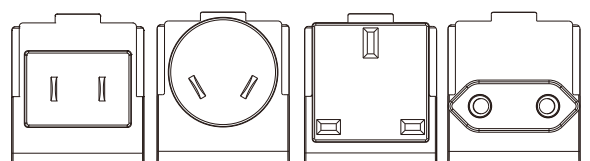


User's manual



Memory Card

US/UK/EU/Australia plugs



CE/FCC Certification In Process